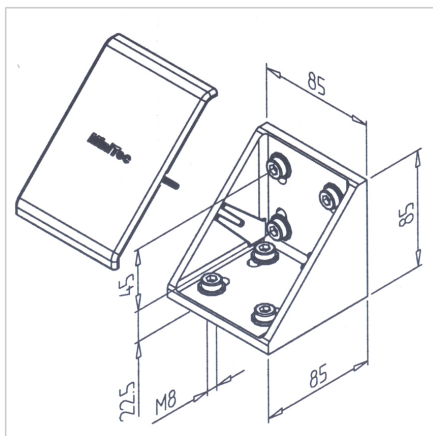


MOUNTING ANGLE 90 GD-Z

Code: 210978/7

Mounting angle 90 GD-Z with M8 square nut and position-fixing for easy installation and precise positioning without machining. Enhances assembly stability.

[Link to the product →](#)



Technical data/items supplied

- Aluminium, Pressure die-casting, powder-coated, grey
- With fastening material steel, zinc plated
- Weight = 0.497 kg/piece

Applications

- For profiles 90 and 180
- General constructions, particularly for subsequent insertion of profiles into existing constructions
- Strengthening of profile constructions

Assembly

- Fasten to profile groove with supplied hardware
- Hammer head screw **part no. 21.1370/0** can be used
- End cap MW 90 GD-Z **part-No. 220999/1**
- Recommended locking torque: 20 Nm