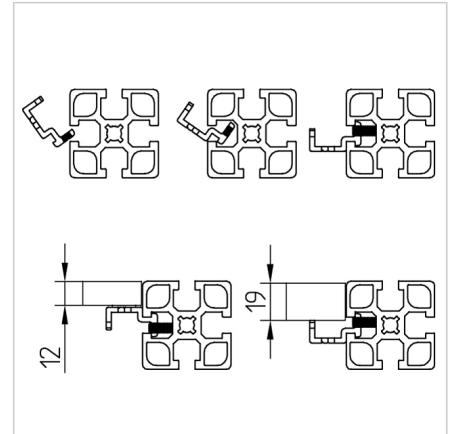
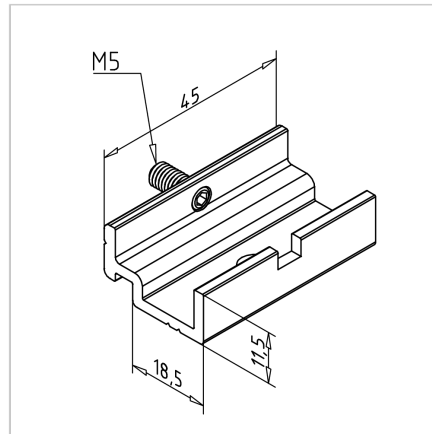
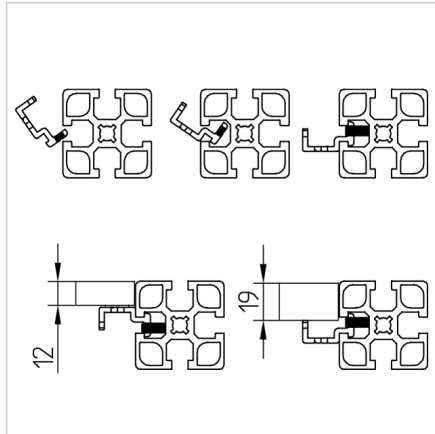


MOUNTING BASE N PIVOTED

Code: 210036/0

[Link to the product →](#)



Technical data/items supplied

- Aluminium, anodized E6/EV1
- Mounting base N pivoted
- Weight = 0.016 kg/piece

Applications

- For the positioning and fastening of table tops and surface elements

Assembly

- Swing into profile groove
- Clamp with set screw
- No machining required