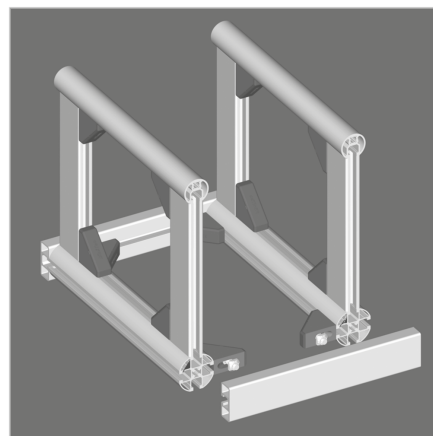
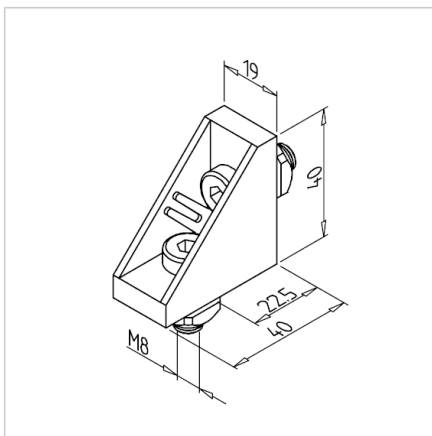
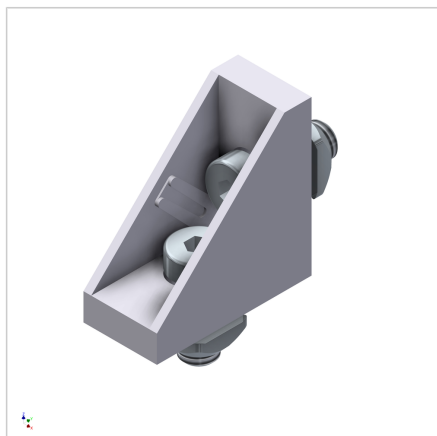


MOUNTING BRACKET 19 GD-Z CONDUCTIVE

Code: 212078/6

Conductive mounting angle 19 GD-Z for safe aluminium profile connections with ESD protection. Prevents static discharge, ideal for sensitive equipment.

[Link to the product →](#)



Technical data/items supplied

- Aluminium, Pressure die-casting, blasted
- With fastening material steel, zinc plated
- Aluminium GD-Z
- Weight = 0.055 kg/piece

Applications

- Connection of profiles 19 and 32
- Subsequent insertion of profiles into existing constructions
- Attaching bearing surfaces
- Slidable in the groove direction

Assembly

- Fasten to profile groove with supplied hardware
- For subsequent mounting on vertical nut, a square nut M8 Z with nut fixation, **part no. 211390/2** is preferred
- Recommended locking torque: 20 Nm