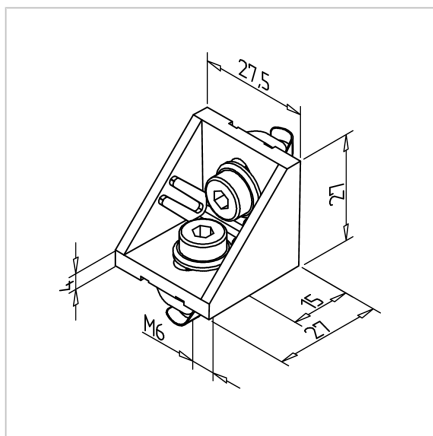


MOUNTING BRACKET 30 GD-Z

Code: 210905/0

Mounting angle 30 GD-Z for secure angled aluminium profile connections without machining. Enhances precision, durability, and assembly flexibility.

[Link to the product →](#)



Technical data/items supplied

- Aluminium, Pressure die-casting, powder-coated, grey
- With fastening material steel, zinc plated
- Removable centering tabs
- Conductive version **part no. 210905/6**
- Weight = 0.029 kg/piece

Applications

- All types of constructions; specifically suited for the subsequent mounting of elements in existing constructions
- Fastening of surface elements, table tops

Assembly

- Strengthening of profile constructions
- Fasten to profile groove with supplied hardware
- Recommended torque: 8 Nm
- Fitting end cap MW 30 grey, **part no. 220989/1**