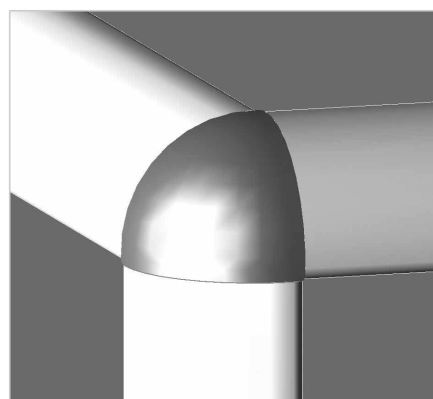
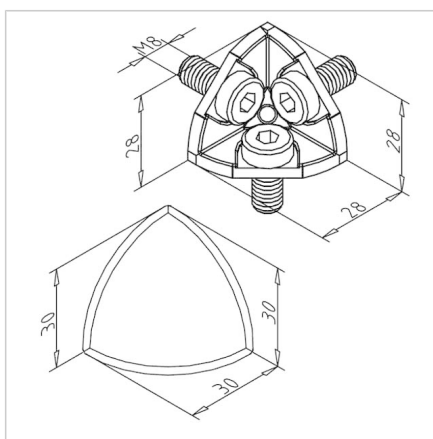
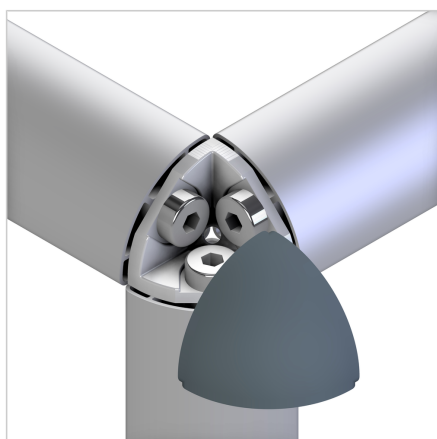


MOUNTING BRACKET 30 R90°

Code: 212109/0

Mounting angle 30 R 90° for secure angled aluminium profile connections without machining. Enhances precision, durability, and assembly flexibility.

[Link to the product →](#)



Technical data/items supplied

- Aluminium, Pressure die-casting, bright
- With fastening material steel, zinc plated
- End cap MW 30 R 90° **part no. 221143/1**
- Weight = 0.043 kg/piece

Applications

- Corner fastening of profiles 30 R 90°
- Constructions for show cases, tables etc.

Assembly

- In the central bore of the profile with supplied hardware
- Clip the end cap