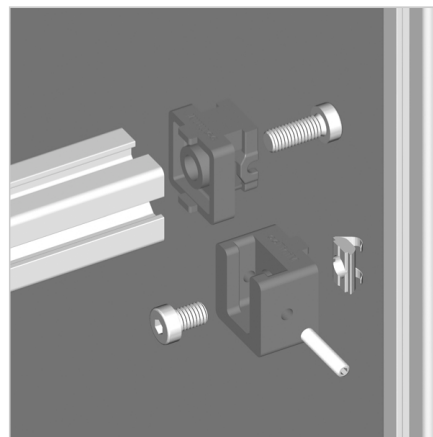
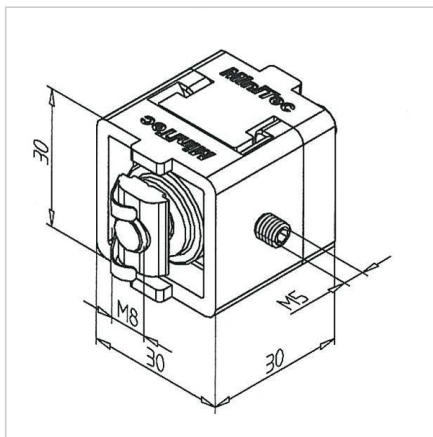
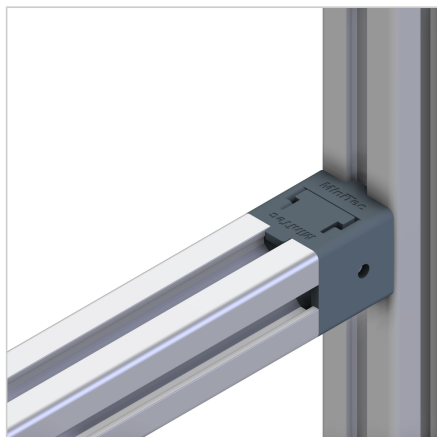


## MOUNTING BRACKET 30

Code: 212068/0

Mounting bracket 30 for connecting aluminium profiles. Ideal for profile extensions and removable, adjustable structures.

[Link to the product →](#)



### Technical data/items supplied

- Zinc, Pressure die-casting, powder-coated, grey
- With fastening material steel, zinc plated
- Weight = 0.041 kg/piece

### Applications

- Connection of profiles
- Profile extension
- Subsequent insertion of profiles into existing constructions, displaceable in groove direction
- Removable attachments

### Assembly

- Fasten to profiles with supplied hardware
- Insert cross-tie profile into T-slot
- For adjustment use set screw M5