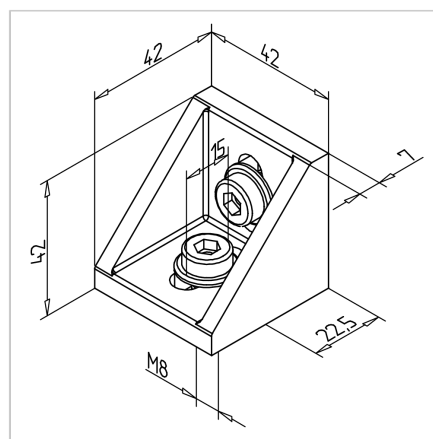
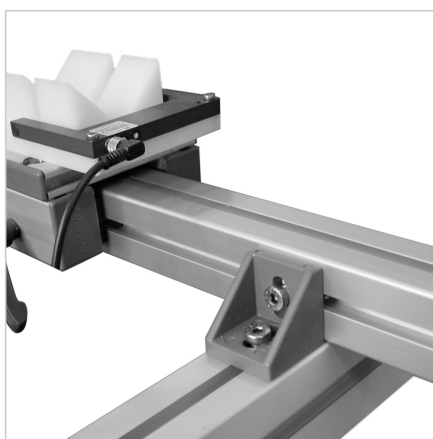
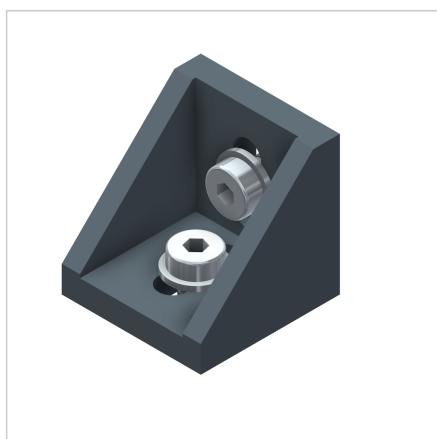


MOUNTING BRACKET 45 GD POWDER COATED

Code: 211133/0

Mounting angle 45 GD for secure angled aluminium profile connections without machining. Enhances precision, durability, and assembly flexibility.

[Link to the product →](#)



Technical data/items supplied

- Aluminium, Pressure die-casting, powder-coated, grey
- With fastening material steel, zinc plated
- Conductive version **part no. 211133/6**
- For use on vertical struts, mounting angle **part no. 211133/7** (square nuts with position-fixing)
- Weight = 0.114 kg/piece

Applications

- General constructions, particularly for subsequent insertion of profiles into existing constructions
- Fastening of surface elements, table tops
- Strengthening of profile constructions

Assembly

- Fasten to profile groove with supplied hardware
- Hammer head screw **part no. 21.1370/0** can be used
- Recommended locking torque: 20 Nm