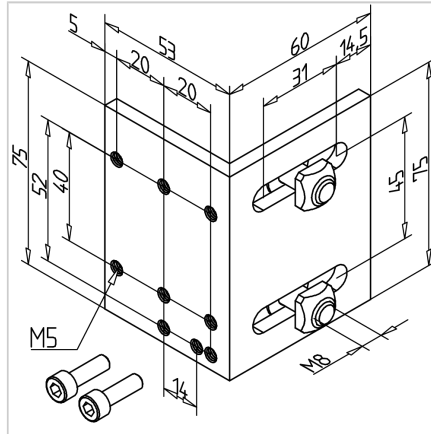


MOUNTING BRACKET FOR SAFETY SWITCH

Code: 211359/0

Angle bracket for security switch, providing secure mounting and optimal positioning of safety switches.

[Link to the product →](#)



Technical data/items supplied

- Aluminium, anodized E6/EV1
- With fastening material steel, zinc plated
- For use on vertical struts, angle bracket **part no. 211359/7** (square nuts with position-fixing)
- Weight = 0.128 kg/piece

Applications

- For safety switch according to DIN EN 50041
- Switch adjustment in two directions

Assembly

- Fasten with fixing material to profile groove