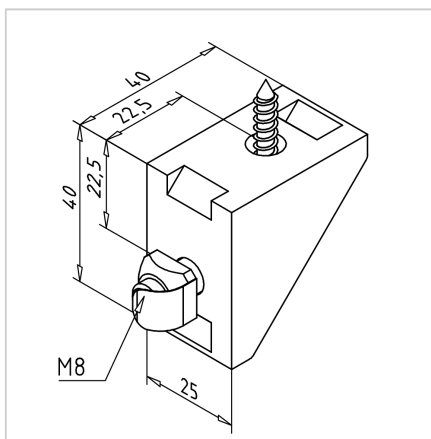


## MOUNTING BRACKET FOR TABLE TOPS INCL. FIXATION MATERIAL

Code: 320401/0

Mounting bracket for tabletops with fixing hardware ensures stable installation and organized workstation.

[Link to the product →](#)



### Technical data/items supplied

- Aluminium, Pressure die-casting, powder-coated, grey
- For table tops from 16 mm thickness
- Fastening kit
- Weight = 0.058 kg/piece

### Applications

- For EPA/ESD applications **part no.** [320401/6](#)
- Fixing table tops from 16 mm thickness on the profile frame

### Assembly

- Install to the profile groove with supplied hardware
- Screw in chipboard screws with washer in table top, if necessary pre-drill