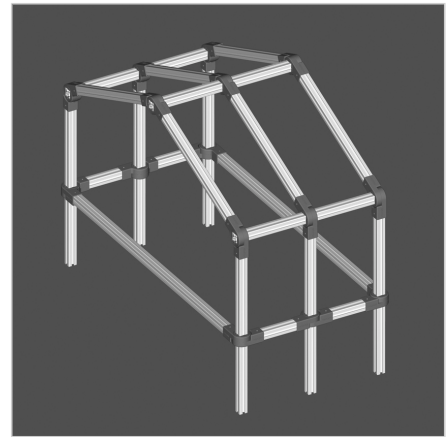
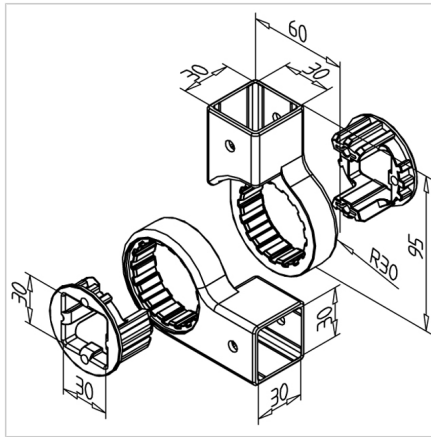


MULTI CONNECTOR 30

Code: 221140/0

Multi connector 30 for versatile and secure joining of aluminium profiles. Perfect for complex frame assemblies, modular constructions, and custom setups.

[Link to the product →](#)



Technical data/items supplied

- ABS, Injection Mould, grey
- With fastening material steel, zinc plated
- Weight = 0.135 kg/piece

Applications

- Easy connection for profiles
- Angle adjustable in 22,5° raster

Assembly

- Fix swivel arm front to profile
- Insert socket from the side
- Insert other profile into socket and position it
- Secure with 2 cylinder screws against moving