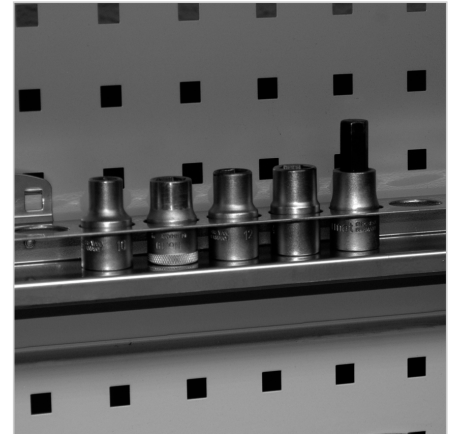
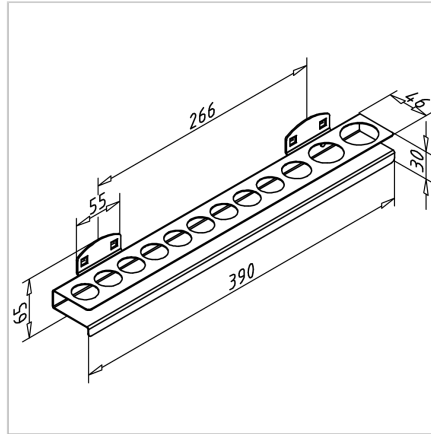
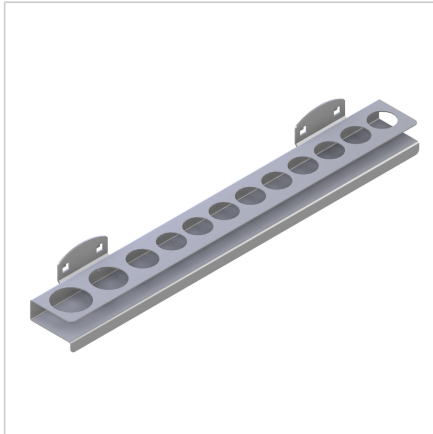


NUT HOLDER FOR 12 NUTS

Code: 320519/0

Socket holder allows organized size-based arrangement, quick access, and improved visibility at the workstation.

[Link to the product →](#)



Technical data/items supplied

- Steel, Pressure die-casting, powder-coated, grey
- Aluminum colored
- Plastic coated
- Individually packaged incl. screws
- Weight = 0.736 kg/piece

Applications

- Holder for socket wrench inserts, 9x Ø 25mm, 1x Ø 27mm, 1x Ø 32mm, 1x Ø 35mm

Assembly

- Hook in the carrier plate and secure with the enclosed screw