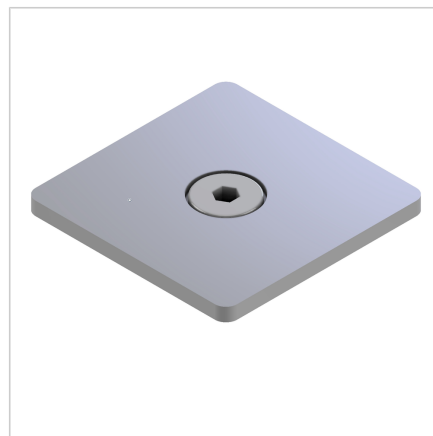
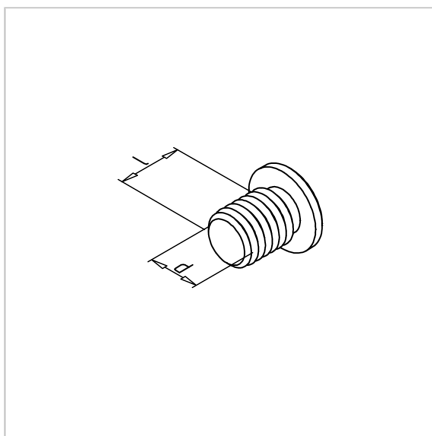


## PAN HEAD SCREW M08X10 VA WITH HEXAGON SOCKET

Code: 211666/0

Pan head screw M08x10 VA with hexagon socket, made of stainless steel for durable and secure fastening of aluminium profiles and components.

[Link to the product →](#)



### Technical data/items supplied

- Stainless steel
- Thread (d) : M 8
- Length (l) : 10 mm
- Weight = 0.004 kg/piece

### Applications

- Design specifically manufactured for the following end caps
  - End caps VA
  - End caps AL
  - End caps LR