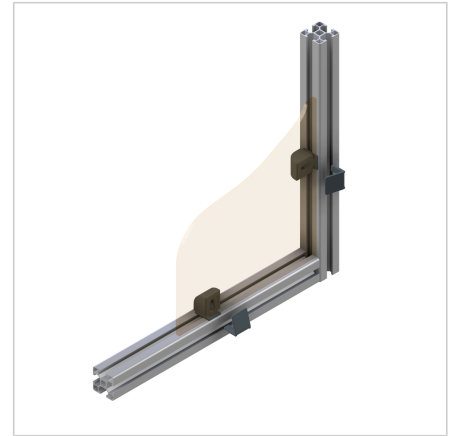
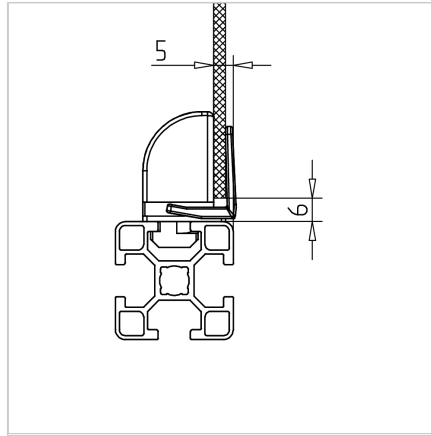
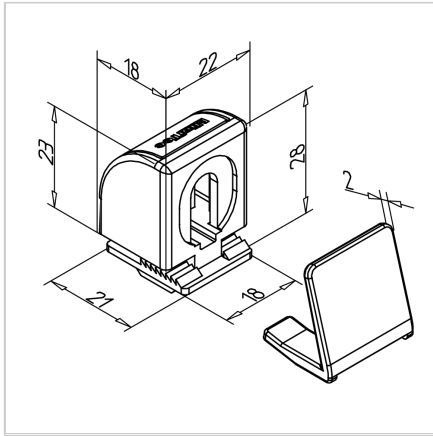


PANEL CLAMP BLOCK 30

Code: 221230/0

[Link to the product →](#)



Technical data/items supplied

- ABS, Injection Mould, grey
- Weight = 0.008 kg/piece

Applications

- Suitable for all profiles of series 30
- Retrofitting surface elements 2 mm to 6 mm thickness
- Circulating air gap 6 mm

Assembly

- Insert socket into profile groove
- Insert surface elements
- Press on clip
- **Dismounting:** Lift snap-in clip slightly and pull it out