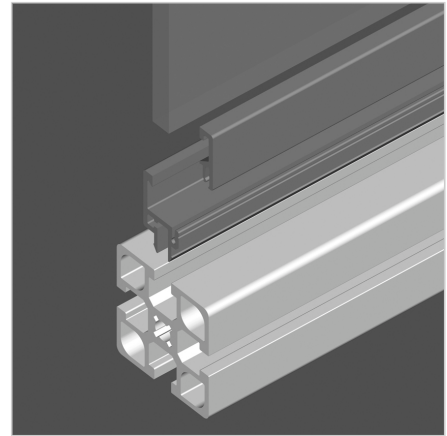
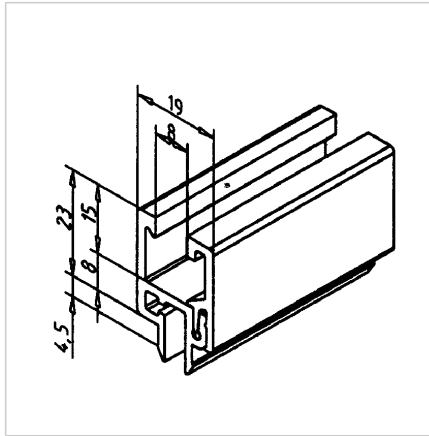
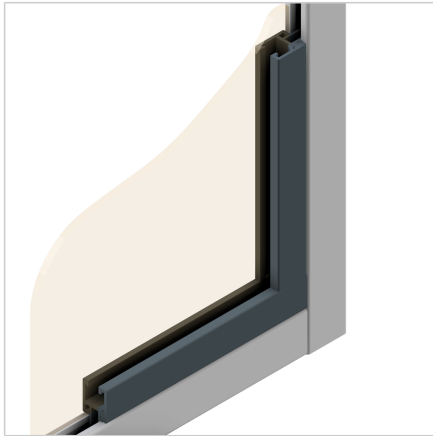


PANEL CLAMPING PROFILE GREY L=2m

Code: 221107/1

[Link to the product →](#)



Technical data/items supplied

- ABS, extruded, grey
- Weight = 0.229 kg/m
- Bar length = 2 m

Applications

- For retrofitting surface elements in existing profile frames
- Fixation surface elements with a maximum strength of 8 mm
- For panels up to 8 mm use additional insert seal
- For subsequent installation of corrugated mesh please use clamp profile PVC
- Windows, doors
- No free space between profile and panel element

Assembly

- Snap socket half into profile groove
- Insert the panel element
- Press clamping half firmly on socket half
- **No mitre cut necessary**