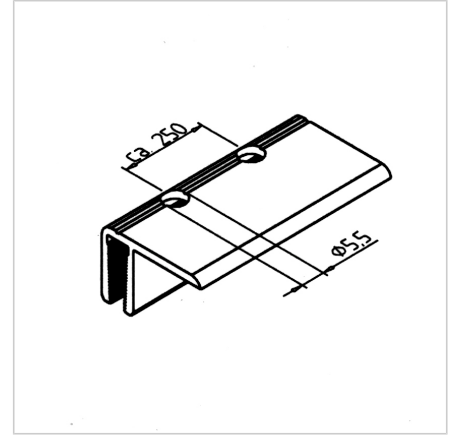
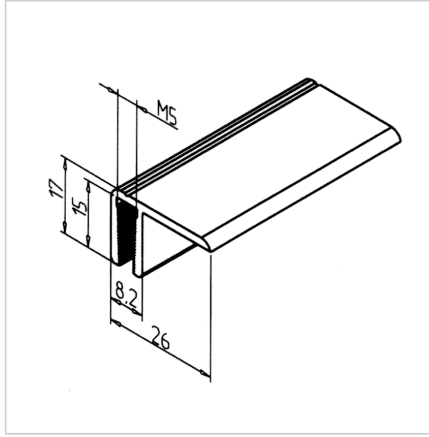
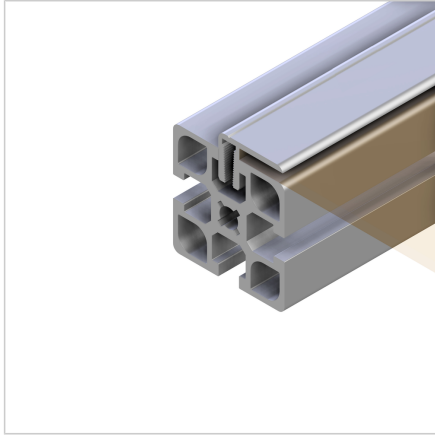


PANEL CLAMPING PROFILE

Code: 201025/0

[Link to the product →](#)



Technical data/items supplied

- Aluminium, extruded, anodized E6/EV1
- Weight = 0.260 kg/m
- Bar length = 6 m

Applications

- Fastening of surface elements
- Post fitting of facing panels
- Reception of surface elements with a maximum strength of 10 mm

Assembly

- Make bore \varnothing 5.5 mm for setscrew M5 in grid size of approx. 250 mm
- Press in the profile groove and clamp with grub screw M5 x 12 **part no.** 21.1381/0