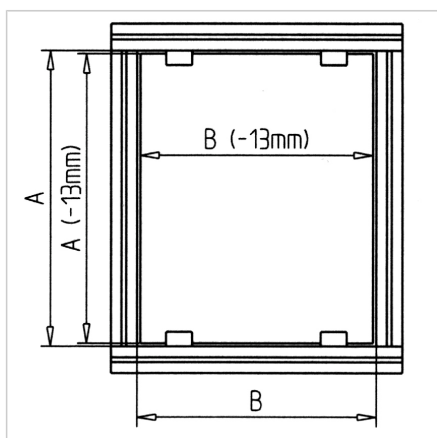
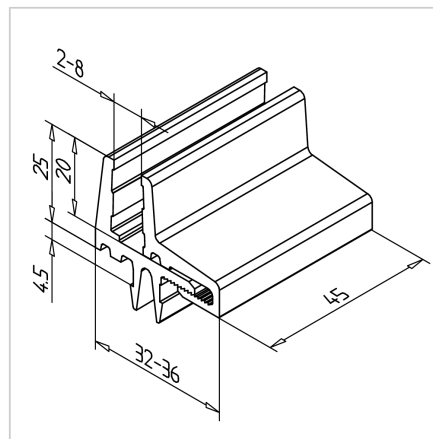
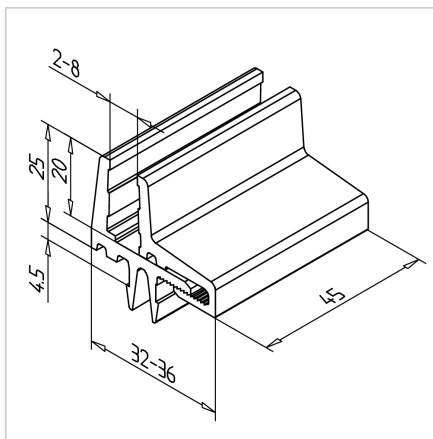
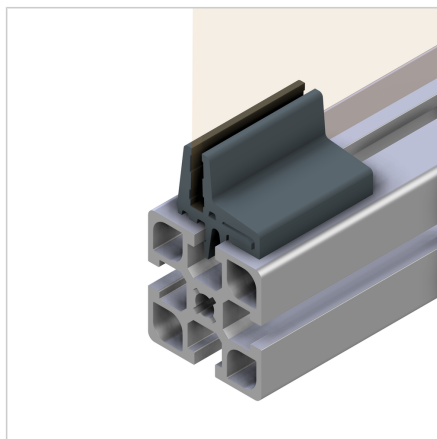


PANEL HOLDER BLACK

Code: 221090/0

[Link to the product →](#)



Technical data/items supplied

- PVC, extruded, black
- Also available in grey on request, **Part no.. 22.1090/1**
- Weight = 0.011 kg/piece

Applications

- Fixation surface elements with a maximum strength of 8 mm
- For surface elements smaller than 4 mm, a moss rubber strip must be inserted
- Windows, doors
- Not suitable for corrugated mesh

Assembly

- Fold the sockets into the profile groove
- Insert the panel element
- Press clamping half firmly on socket half
- To install surface elements less than 4 mm thick, the insertion of an additional sponge rubber strip or similar is recommended, e.g. our flat sponge rubber tape 10x3 mm, self-adhesive **Part no.. 22.1129/0**