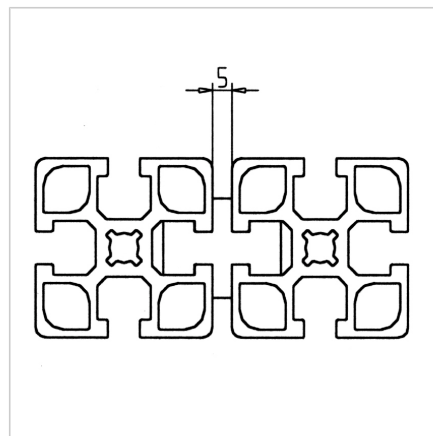
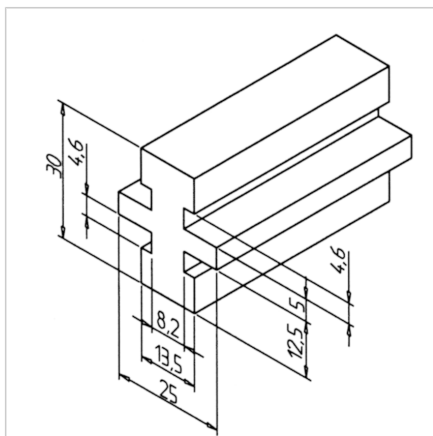
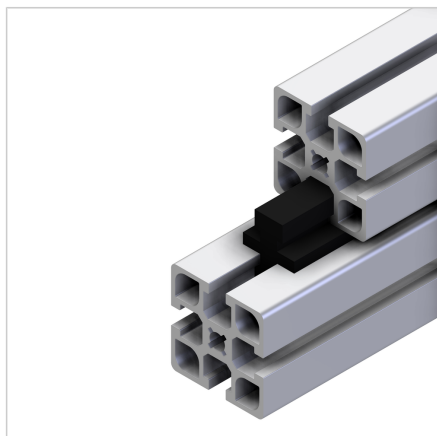


PARALLEL SLIDE BAR

Code: 221041/0

Parallel slide rail for precise and smooth guidance of sliding elements in profile systems, ensuring stability and easy movement in various applications.

[Link to the product →](#)



Technical data/items supplied

- PE-UHMW, black
- Particularly wear-resistant, impact-resistant and insensitive to scratches
- Weight = 0.390 kg/m
- Bar length = 2 m

Applications

- Parallel guide without difference in height
- Externally flush sliding elements

Assembly

- Slide into profile groove
- If necessary, one-sided by cylindrical pin M6 x 16 **part no.** 21.1324/0 fix
- To reduce friction in moving parts, we recommend using the slide rail in short pieces with a maximum length of 100 mm