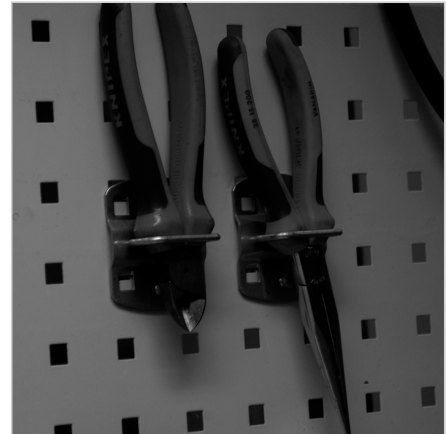
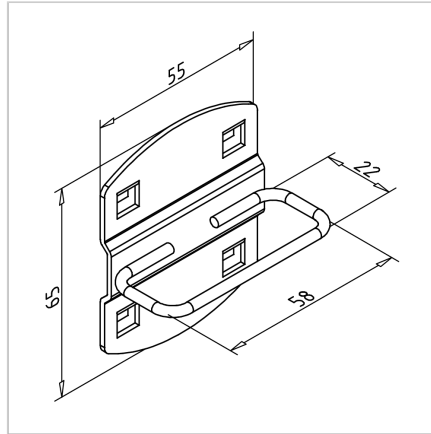
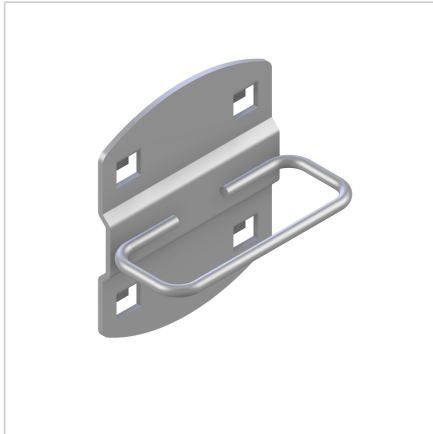


PLIERS HOLDER

Code: 320531/0

Pliers holder allows quick access to tools, organized type-based arrangement, and easy selection of the right pliers.

[Link to the product →](#)



Technical data/items supplied

- Steel, Pressure die-casting, powder-coated, grey
- Plastic coated
- Individually packaged incl. screws
- Weight = 0.070 kg/piece

Applications

- For provision of steel tools

Assembly

- Hook in the carrier plate and secure with the enclosed screw