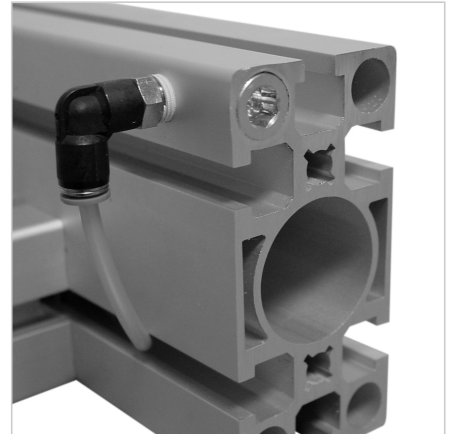
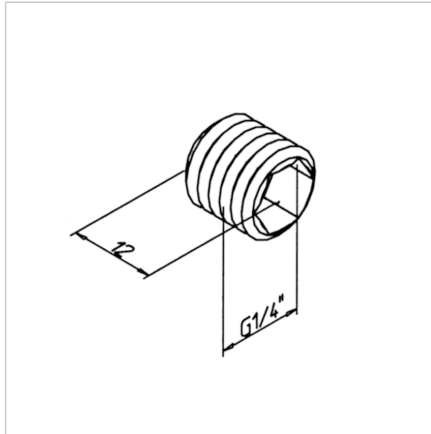
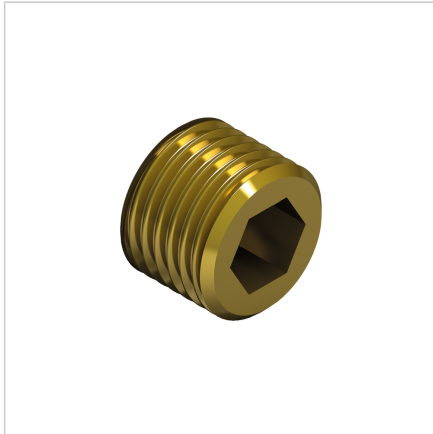


PLUG G1/4"

Code: 241104/0

Screw plug with G1/4" thread for sealing pneumatic or hydraulic connections and openings.

[Link to the product →](#)



Technical data/items supplied

- Brass
- Weight = 0.005 kg/piece

Applications

- Closure for profile chambers \varnothing 11,7 mm

Assembly

- Cut Thread G 1/4" in central hole d 11.7.
- Screw in the plug by using sealing tape