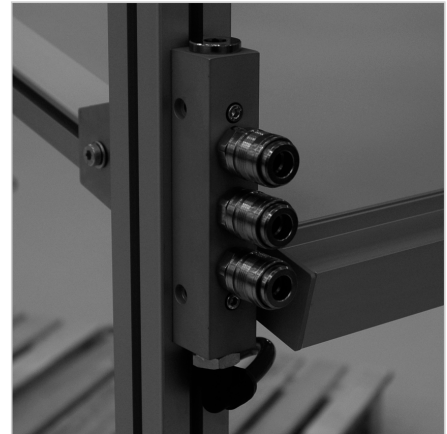
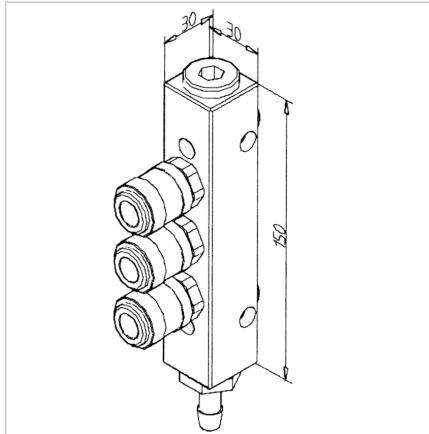


## PNEUMATIC 3-WAY DISTRIBUTOR

Code: 320901/0

Pneumatic distributor ensures clear and efficient compressed air distribution while reducing hose and connector wear.

[Link to the product →](#)



### Technical data/items supplied

- Aluminium housing
- 1x connection hose nozzle for hose NW 9
- 3x quick-connect NW 7
- Operating range 0-10 bar
- Temperature range -10 to +70°C
- Connection with push-on fitting on request
- Weight = 0.665 kg/piece

### Applications

- Compressed air distribution at the workplace
- Fast connection and disconnection of pressurized compressed air lines
- Plug nipple rotatable in the coupling

### Assembly

- Fasten to profile with supplied hardware
- Push on hose and secure with suitable hose clamp