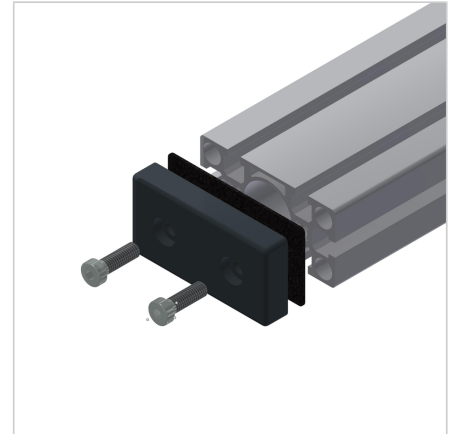
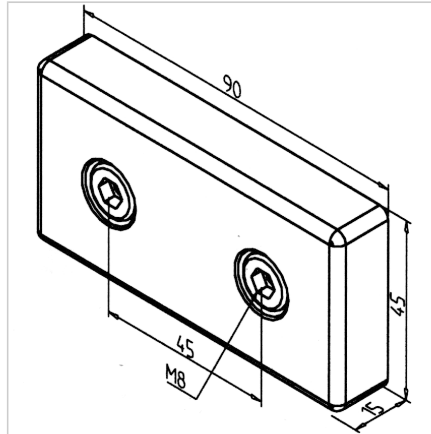
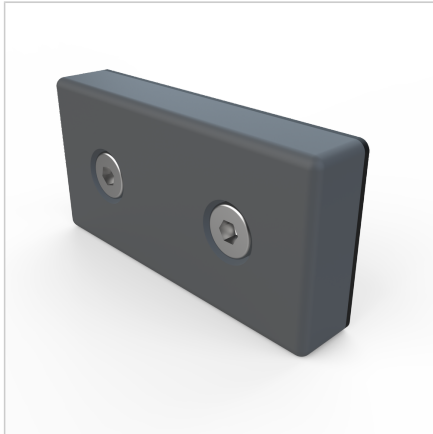


PNEUMATIC END PLATE 45X90

Code: 241105/7

Pneumatic end plate 45 x 90 mm, designed for sealing and protecting pneumatic components within assemblies.

[Link to the product →](#)



Technical data/items supplied

- Aluminium, Pressure die-casting, powder-coated, grey
- With sealing plate of NBR, black
- Fastening kit
- Weight = 0.180 kg/piece

Applications

- Closing of chamber ends of profiles 45 x 90

Assembly

- Insert sealing plate
- Screw in with fastening material from items supplied