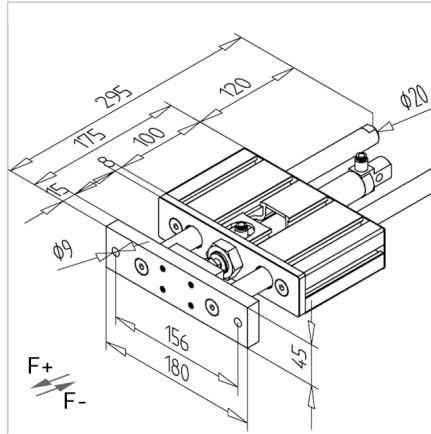
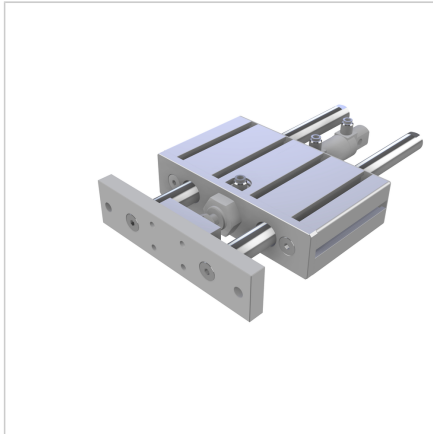


## PNEUMATIC LIFTING UNIT STROKE 100 MM

Code: 241210/0

Pneumatic lifting unit size 100, designed for precise and reliable lifting in industrial applications.

[Link to the product →](#)



### Technical data/items supplied

- Incorporated into profile 45 x 180
- Overall cylinder size  $\phi$  25 mm
- Guide shafts  $\phi$  20 mm
- Fully assembled with double acting pneumatic cylinder
- F+ at 6 bar = 265 N
- F- at 6 bar = 220 N
- Stroke = 100 mm
- Weight = 3.507 kg/piece

### Applications

- Lifting and lowering of loads
- Attachment for grips or similar
- Positioning of parts

### Assembly

- With mounting angle bracket on profile construction
- Other stroke lengths on request