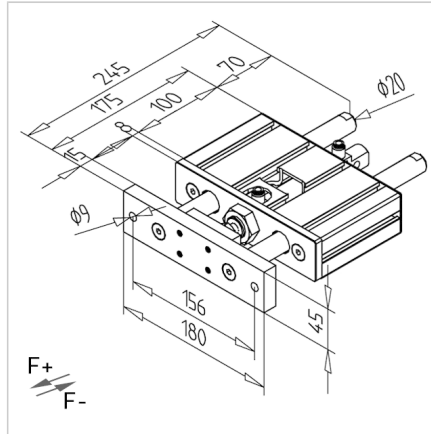
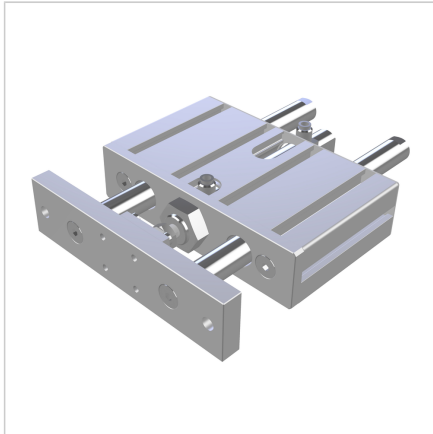


PNEUMATIC LIFTING UNIT STROKE 50 MM

Code: 241205/0

Pneumatic lifting unit size 50, designed for precise and reliable lifting in industrial applications.

[Link to the product →](#)



Technical data/items supplied

- Incorporated into profile 45 x 180
- Overall cylinder size $\varnothing 25$ mm
- Guide shafts $\varnothing 20$ mm
- Fully assembled with double acting pneumatic cylinder
- F+ at 6 bar = 265 N
- F- at 6 bar = 220 N
- Stroke = 50 mm
- Weight = 3.452 kg/piece

Applications

- Lifting and lowering of loads
- Attachment for grips or similar
- Positioning of parts

Assembly

- With mounting angle bracket on profile construction
- Other stroke lengths on request