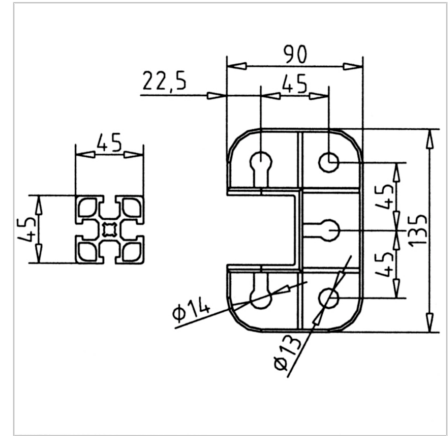
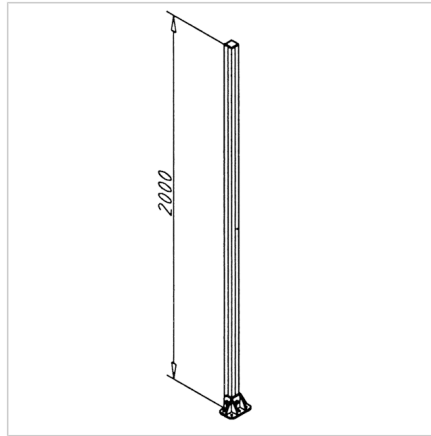


POST SG 45 X 45

Code: 230030/0

[Link to the product →](#)



Technical data/items supplied

- Aluminium, anodized E6/EV1
- Made of profile 45 x 45 F
- Foot 45 GD preassembled
- Without ground anchor
- Weight = 4.370 kg/piece

Applications

- Use as post for guard units, doors

Assembly

- Position foot as appropriate
- Mark the position of the drillings on the ground
- Install and tighten the ground anchor