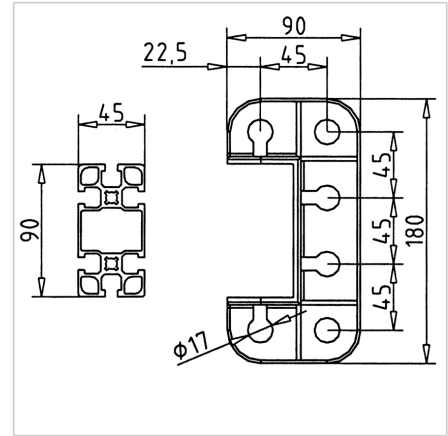
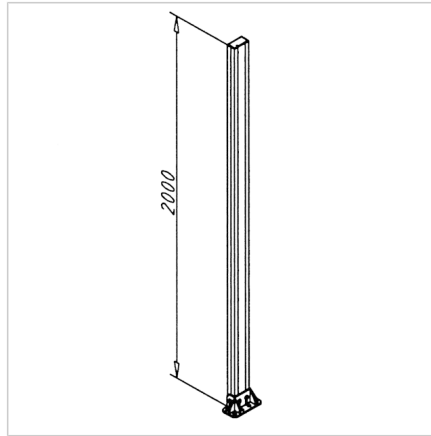


POST SG 45X90F L=2000

Code: 230060/0

[Link to the product →](#)



Technical data/items supplied

- Aluminium, extruded, anodized E6/EV1
- Made of profile 45 x 90 F
- Foot 90 GD preassembled
- Without ground anchor
- Weight = 6.740 kg/piece

Applications

- Use as corner posts for guard units or for higher lateral loads of normal units

Assembly

- Position foot as appropriate
- Mark the position of the drillings on the ground
- Install and tighten the ground anchor