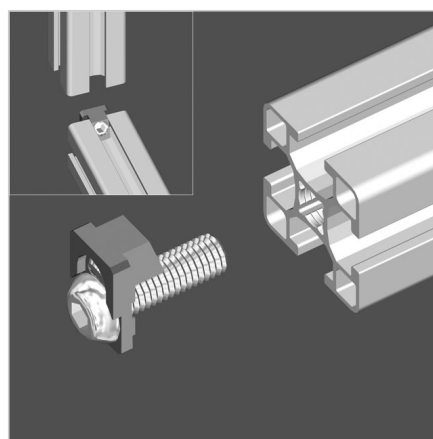
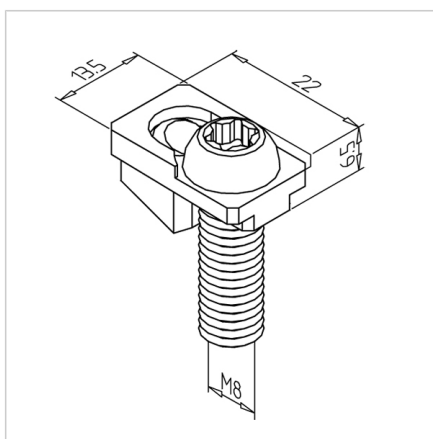
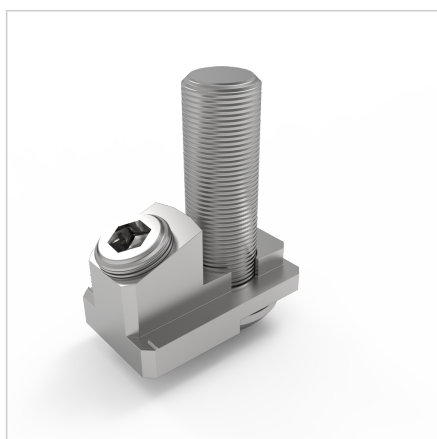


POWER-LOCK FASTENER 30 SF

Code: 210016/0

Power-lock fastener 30 SF for quick and strong aluminium profile connections without machining. Secure grip and simple installation.

[Link to the product →](#)



Technical data/items supplied

- Steel, galvanized
- Self tapping torx screw T40
- Power-Lock fastener 30 (standard) **part no.** 21.1014/0 with filister head screw A/F 5
- Power-lock fastener 30 H - stainless **part no.** 210042/0 with button head screw SW 5
- Weight = 0.021 kg/piece

Applications

- For force-locked connection
- Also suitable for cross joints
- Appropriate for ESD implementations

Assembly

- Fasten the connector frontally to the profile with the torx wrench T 40
- Tighten the set screw M8 with the wrench SW 4
- Recommended locking torque: 12 Nm
- For screwing in self-tapping screws for power-lock fastener use impulse wrench for particularly low impact on the user's wrists