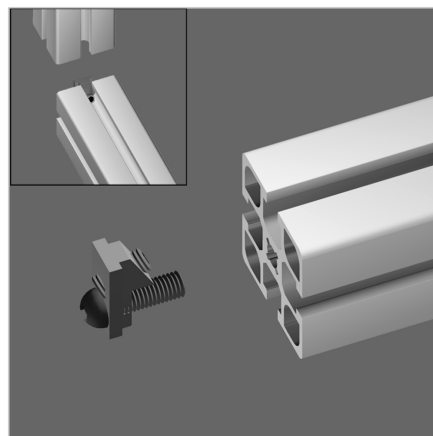
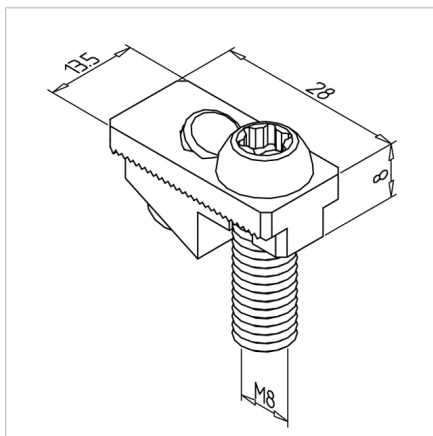
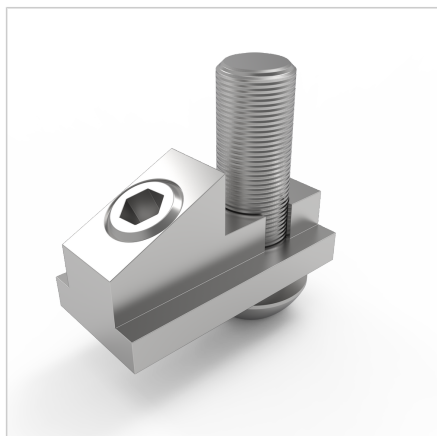


POWER-LOCK FASTENER 45 SF

Code: 210818/0

Power-lock fastener 45 SF for quick and strong aluminium profile connections without machining. Secure grip and simple installation.

[Link to the product →](#)



Technical data/items supplied

- Steel, galvanized
- Self tapping torx screw T40
- Power-lock fastener 45 (standard) **part no. 211018/0**, with filister head screw SW 5
- Power-Lock fastener 45 H - stainless version **part no. 211018/1**, with button head screw SW 5
- Weight = 0.030 kg/piece

Applications

- Power-lock connection for all profiles, also suitable for crossjoints
- For larger profile sections several fasteners can be used
- Appropriate for ESD implementations

Assembly

- Fasten the connector frontally to the profile with the torx wrench T 40
- Tighten the set screw M8 with the wrench SW 4
- Recommended locking torque: 12 Nm
- For screwing in self-tapping screws for power-lock fastener use impulse wrench for particularly low impact on the user's wrists