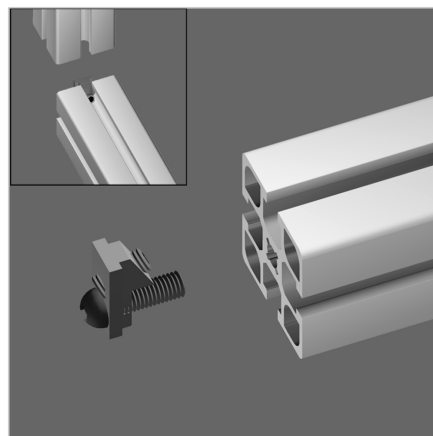
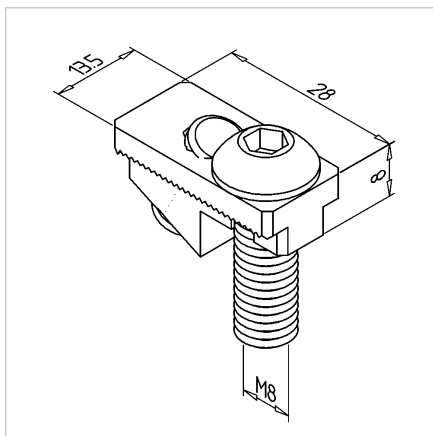
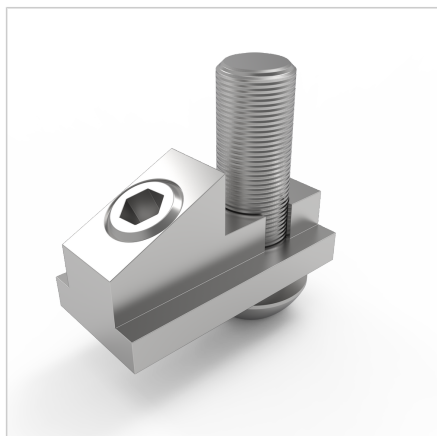


POWER-LOCK FASTENER 45

Code: 211018/0

Power-lock fastener 45 for quick and strong aluminium profile connections without machining. Secure grip and simple installation.

[Link to the product →](#)



Technical data/items supplied

- Steel, galvanized
- With button head screw, steel, galvanized, SW 5
- Power-Lock fastener 45 H - stainless version **part no. 211018/1**, with button head screw SW 5
- Weight = 0.030 kg/piece

Applications

- Power-lock connection for all profiles, also suitable for crossjoints
- For larger profile sections several fasteners can be used

Assembly

- Use Allen key SW 5 to screw connector into end face of profile
- Tighten the set screw M8 with the wrench SW 4
- Recommended locking torque: 12 Nm