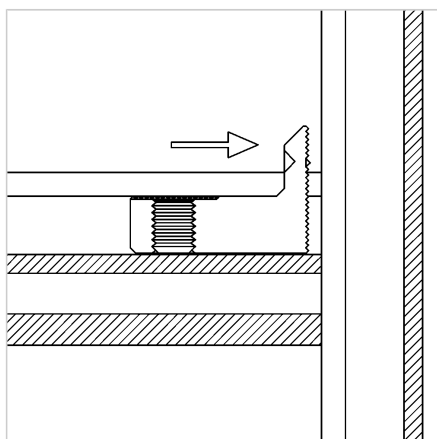
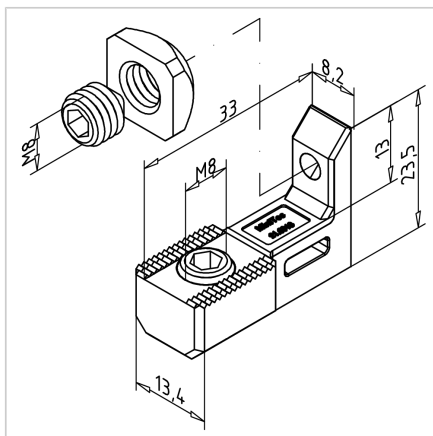


## POWER LOCK FASTENER N45

Code: 210918/0

Power-lock fastener N 45 for quick 45-series profile connections without machining. Suitable for retrofitting and larger profiles with multiple fasteners.

[Link to the product →](#)



### Technical data/items supplied

- Steel, galvanized
- Connection element with pre-assembled threaded pin M8
- 1 Slide nut M8 with pre-assembled setscrew
- Weight = 0.036 kg/piece

### Applications

- For connecting all profiles of the profile series 45
- Especially for post-mounting of additional profiles in existing constructions
- For profile sections bigger than 45 x 45 several fasteners can be used

### Assembly

- Position the profile with the connector
- Swing in and tighten sliding nut with threaded pin
- Tighten set screw of fastener
- Tighten both threaded pins with SW 4 and with 10 Nm torque