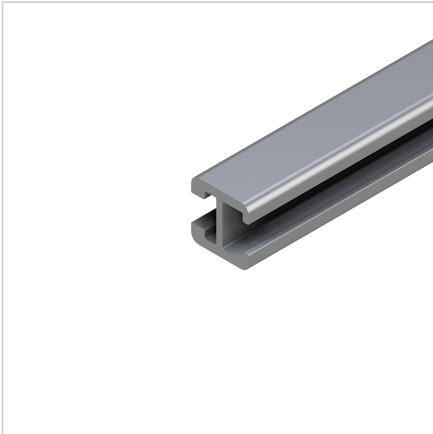


## PROFILE 19X19 S

Code: 201073/0

Alu profile 19 x 19 S for industrial use. Explore our aluminium profile system – strong, modular, and easy to assemble.

[Link to the product →](#)



### Technical data/items supplied

- Aluminium, extruded, anodized E6/EV1
- Weight = 0.425 kg/m
- Bar length = 6 m