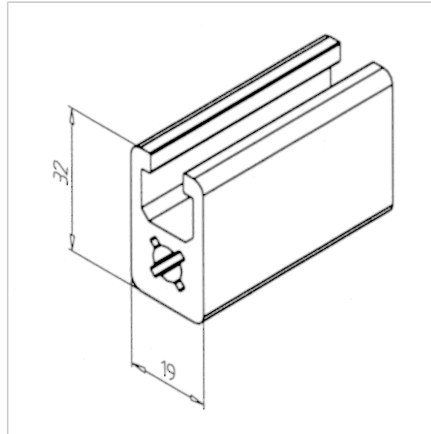
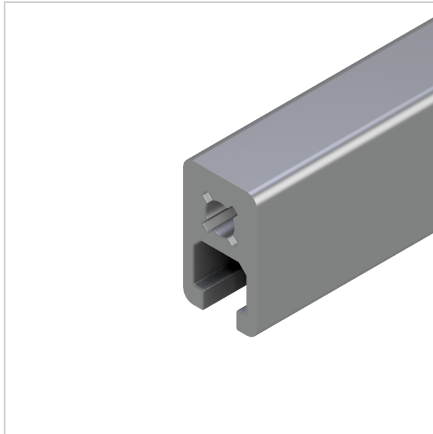


PROFILE 19X32

Code: 201000/0

Alu profile 19 x 32 for industrial use. Explore our aluminium profile system - strong, modular, and easy to assemble.

[Link to the product →](#)



Technical data/items supplied

- Aluminium, extruded, anodized E6/EV1
- $I_x = 3.102 \text{ cm}^4$
- $I_y = 1.526 \text{ cm}^4$
- $w_x = 1.651 \text{ cm}^3$
- $w_y = 1.606 \text{ cm}^3$
- $IT = 1.671 \text{ cm}^4$
- Weight = 0.987 kg/m
- Bar length = 6 m
- Packing unit = 60 m

Applications

- Light constructions
- Handle bars
- Carrier for initiators, switches
- Frames

Assembly

- MiniTec power-lock fastener
- Mounting angle 19 GD-Z, **part no.** [212078/0](#)
- Bolt connector
- Screw connection