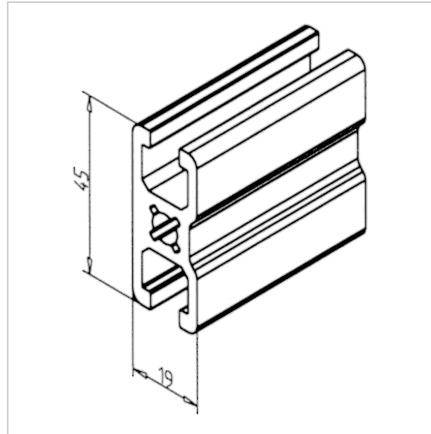
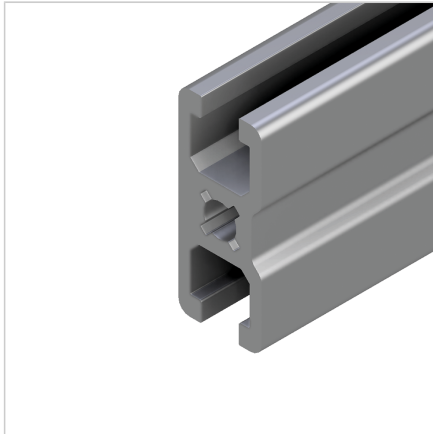


PROFILE 19X45

Code: 201001/0

Alu profile 19 x 45 for industrial use. Explore our aluminium profile system - strong, modular, and easy to assemble.

[Link to the product →](#)



Technical data/items supplied

- Aluminium, extruded, anodized E6/EV1
- $I_x = 6.173 \text{ cm}^4$
- $I_y = 1.843 \text{ cm}^4$
- $w_x = 2.743 \text{ cm}^3$
- $w_y = 1.836 \text{ cm}^3$
- $IT = 1.435 \text{ cm}^4$
- Weight = 1.101 kg/m
- Bar length = 6 m
- Packing unit = 60 m

Applications

- Bracing, doors
- Guard units
- Weight optimized constructions
- Frames

Assembly

- MiniTec power-lock fastener
- Mounting angle 19 GD-Z, **part no.** [212078/0](#)
- Bolt connector
- Screw connection