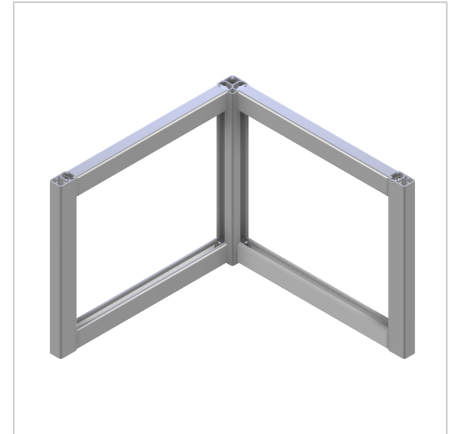
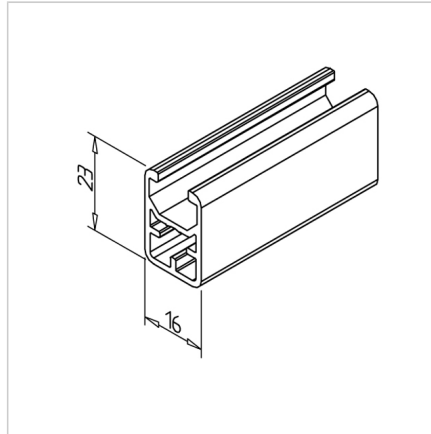
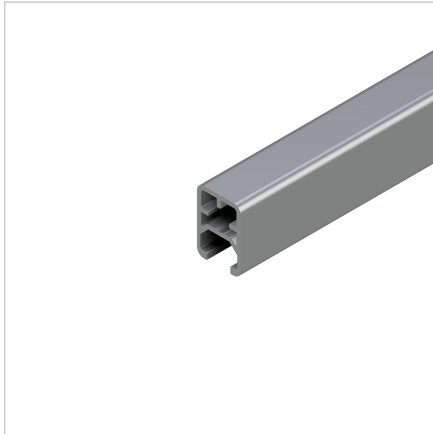


PROFILE 23X16

Code: 201115/0

Alu profile 23 x 16 for industrial use. Explore our aluminium profile system - strong, modular, and easy to assemble.

[Link to the product →](#)



Technical data/items supplied

- Aluminium, extruded, anodized E6/EV1
- $I_x = 0.602 \text{ cm}^4$
- $I_y = 0.442 \text{ cm}^4$
- $w_x = 0.472 \text{ cm}^3$
- $w_y = 0.552 \text{ cm}^3$
- $IT = 0.483 \text{ cm}^4$
- Weight = 0.341 kg/m
- Bar length = 6 m
- Packing unit = 72 m

Applications

- Light constructions with protective hoods, covers, etc.

Assembly

- Power-lock fastener 30 / N 30
- Mitre connector 30
- Screw connection 30
- Angle 16
- Attaching accessories with sliding nut 30 M4 / M5 / M6 / M8