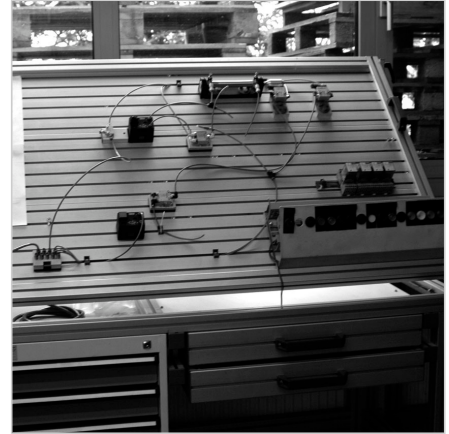
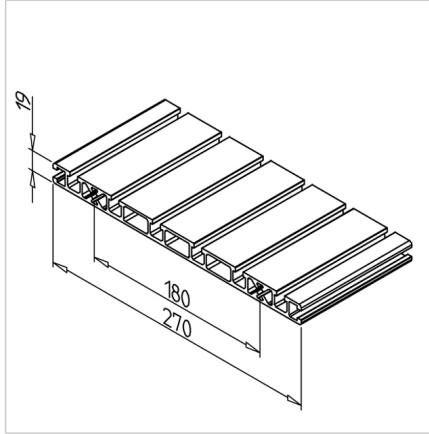
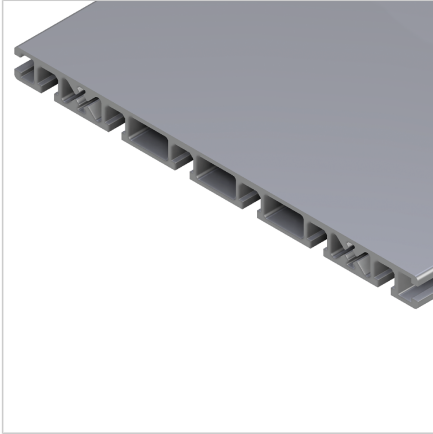


## PROFILE 270X19

Code: 201077/0

Alu profile 270 x 19 for industrial use. Explore our aluminium profile system - strong, modular, and easy to assemble.

[Link to the product →](#)



### Technical data/items supplied

- Aluminium, extruded, anodized E6/EV1
- $I_x = 10.348 \text{ cm}^4$
- $I_y = 1352.197 \text{ cm}^4$
- $w_x = 10.167 \text{ cm}^3$
- $w_y = 100.162 \text{ cm}^3$
- $IT = 18.378 \text{ cm}^4$
- Weight = 5.612 kg/m
- Bar length = 6 m
- Packing unit = 18 m

### Applications

- Mounting plates
- Workstations
- Training set-ups for training and further education with universal clamping socket **part no. P2.0060/0**
- Demonstration units

### Assembly

- Angles
- Screw connection
- Bolt connector