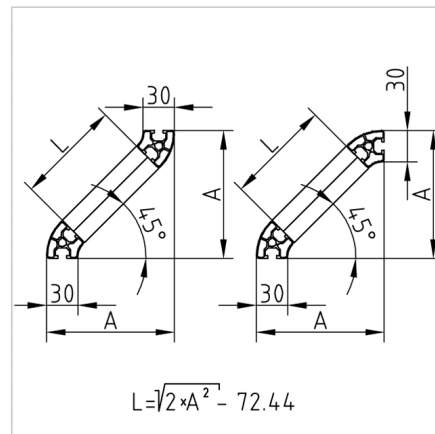
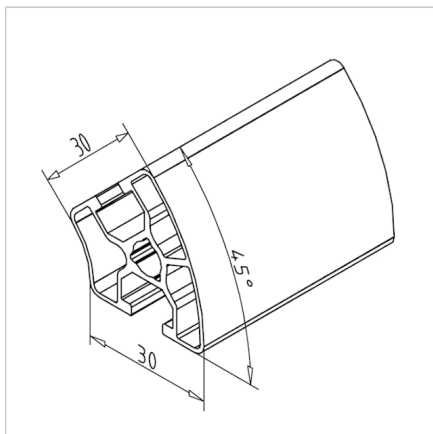


## PROFILE 30 R 45°

Code: 201135/0

Alu profile 30 R 45° for industrial use. Explore our aluminium profile system – strong, modular, and easy to assemble.

[Link to the product →](#)



### Technical data/items supplied

- Aluminium, extruded, anodized E6/EV1
- $I_x = 1.909 \text{ cm}^4$
- $I_y = 1.812 \text{ cm}^4$
- $w_x = 0.924 \text{ cm}^3$
- $w_y = 0.951 \text{ cm}^3$
- $IT = 3.720 \text{ cm}^4$
- Weight = 0.601 kg/m
- Bar length = 6 m
- Packing unit = 72 m

### Applications

- Weight optimized constructions
- Tables
- Framework constructions
- As cross beam:  
Calculate dimension L of the intermediate support according to calculating formular
- Display windows, showcases

### Assembly

- Power-lock fastener 30 / N 30
- Mitre connector 30
- Screw connection 30
- Angle 16 / 30
- Attaching accessories with sliding nut 30  
M4 / M5 / M6 / M8