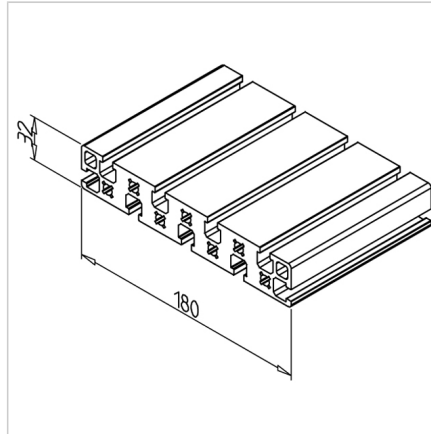
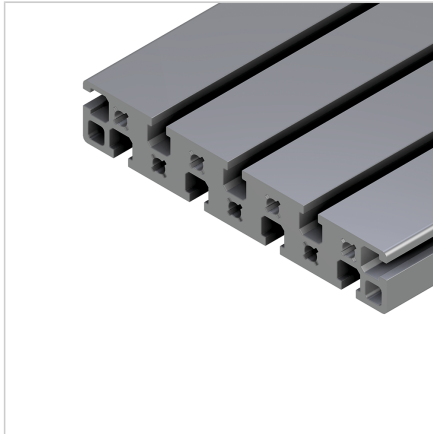


PROFILE 32X180

Code: 201016/0

Alu profile 32 x 180 for industrial use. Explore our aluminium profile system - strong, modular, and easy to assemble.

[Link to the product →](#)



Technical data/items supplied

- Aluminium, extruded, anodized E6/EV1
- $I_x = 33.804 \text{ cm}^4$
- $I_y = 843.825 \text{ cm}^4$
- $w_x = 21.068 \text{ cm}^3$
- $w_y = 93.758 \text{ cm}^3$
- $IT = 66.836 \text{ cm}^4$
- Weight = 9.539 kg/m
- Bar length = 6 m
- Packing unit = 6 m

Applications

- Slide plate LR
- Tensioning area
- Base plates
- All types of heavy constructions

Assembly

- MiniTec power-lock fastener
- Mounting bracket 45 or 90
- Screw connection