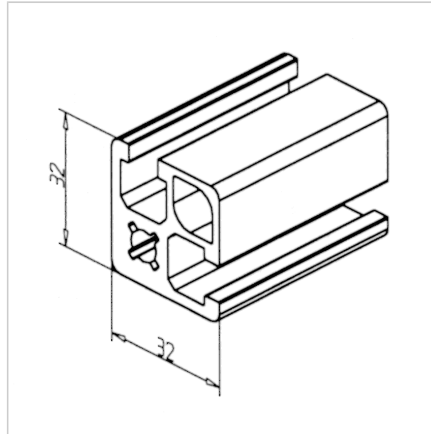
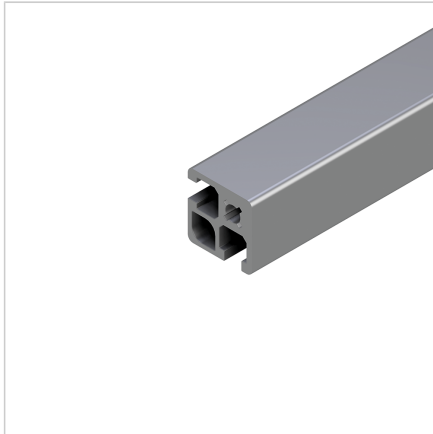


## PROFILE 32X32 F

Code: 201054/0

Alu profile 32 x 32 F for industrial use. Explore our aluminium profile system - strong, modular, and easy to assemble.

[Link to the product →](#)



### Technical data/items supplied

- Aluminium, extruded, anodized E6/EV1
- $I_x = 4.825 \text{ cm}^4$
- $I_y = 4.825 \text{ cm}^4$
- $w_x = 2.703 \text{ cm}^3$
- $w_y = 2.703 \text{ cm}^3$
- $IT = 1.426 \text{ cm}^4$
- Weight = 1.288 kg/m
- Bar length = 6 m
- Packing unit = 48 m

### Applications

- Weight optimized constructions
- End table
- Swivel, lifting and sliding doors
- Bracings

### Assembly

- MiniTec power-lock fastener
- Mounting angle 19 GD-Z, **part no.** [212078/0](#)
- Bolt connector
- Screw connection