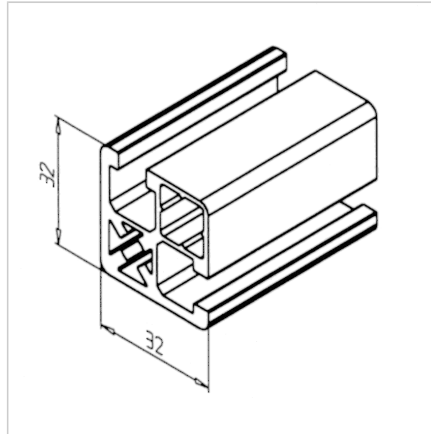
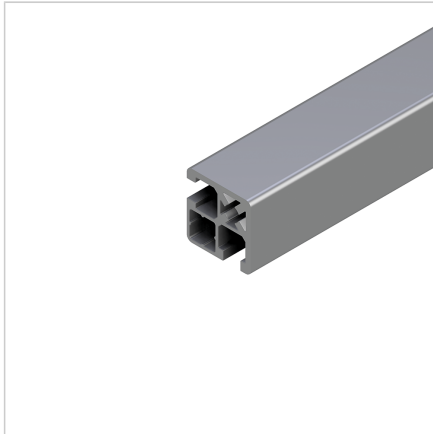


PROFILE 32X32 UL

Code: 201064/0

Alu profile 32 x 32 UL for industrial use. Explore our aluminium profile system - strong, modular, and easy to assemble.

[Link to the product →](#)



Technical data/items supplied

- Aluminium, extruded, anodized E6/EV1
- $I_x = 4.1 \text{ cm}^4$
- $I_y = 4.1 \text{ cm}^4$
- $w_x = 2.267 \text{ cm}^3$
- $w_y = 2.267 \text{ cm}^3$
- $IT = 3.260 \text{ cm}^4$
- Weight = 1.052 kg/m
- Bar length = 6 m
- Packing unit = 48 m

Applications

- Weight-optimized constructions
- End table
- Swivel, lifting and sliding doors
- Bracings

Assembly

- MiniTec power-lock fastener
- Mounting angle 19 GD-Z, **part no.** [212078/0](#)
- Bolt connector
- Screw connection