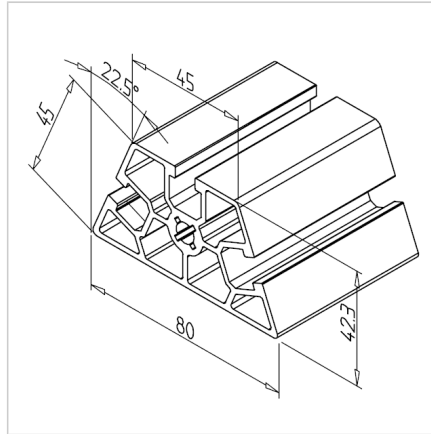


PROFILE 45 / 22,5°

Code: 201030/0

Alu profile 45/22.5° for industrial use. Explore our aluminium profile system - strong, modular, and easy to assemble.

[Link to the product →](#)



Technical data/items supplied

- Aluminium, extruded, anodized E6/EV1
- $I_x = 14.506 \text{ cm}^4$
- $I_y = 33.432 \text{ cm}^4$
- $w_x = 7.934 \text{ cm}^3$
- $w_y = 8.515 \text{ cm}^3$
- $IT = 42.880 \text{ cm}^4$
- Weight = 2.225 kg/m
- Bar length = 6 m
- Packing unit = 36 m

Applications

- Guard units
- Tables
- Connection of construction elements at an angle of 45°
- Bracings

Assembly

- MiniTec power-lock fastener
- Angles
- Bolt connector