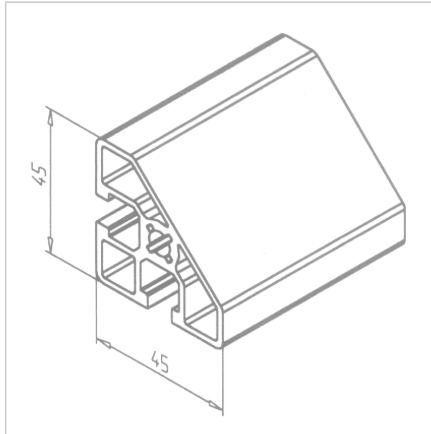
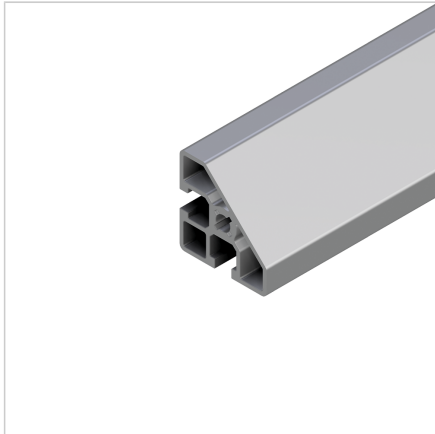


PROFILE 45 / 45°

Code: 201029/0

Alu profile 45/45° for industrial use. Explore our aluminium profile system – strong, modular, and easy to assemble.

[Link to the product →](#)



Technical data/items supplied

- Aluminium, extruded, anodized E6/EV1
- $I_x = 8.626 \text{ cm}^4$
- $I_y = 8.626 \text{ cm}^4$
- $w_x = 3.315 \text{ cm}^3$
- $w_y = 3.315 \text{ cm}^3$
- $IT = 10.580 \text{ cm}^4$
- Weight = 1.443 kg/m
- Bar length = 6 m
- Packing unit = 48 m

Applications

- Weight optimized constructions
- Tables
- Framework constructions
- Bracings

Assembly

- MiniTec power-lock fastener
- Angle 45°
- Mounting bracket 45 or 90
- Bolt connector