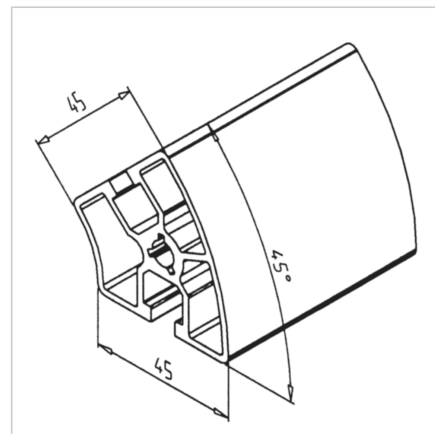
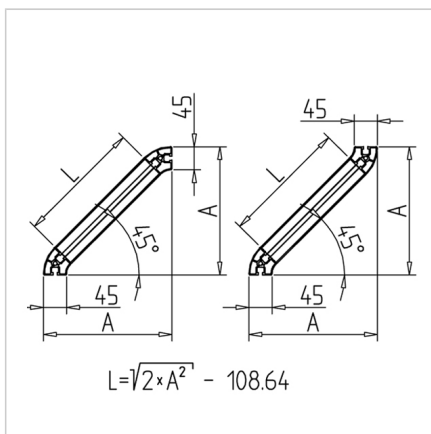


## PROFILE 45 R 45°

Code: 201095/0

Alu profile 45 R 45° for industrial use. Explore our aluminium profile system – strong, modular, and easy to assemble.

[Link to the product →](#)



### Technical data/items supplied

- Aluminium, extruded, anodized E6/EV1
- $I_x = 12.457 \text{ cm}^4$
- $I_y = 11.296 \text{ cm}^4$
- $w_x = 3.976 \text{ cm}^3$
- $w_y = 3.837 \text{ cm}^3$
- $IT = 24.184 \text{ cm}^4$
- Weight = 1.607 kg/m
- Bar length = 6 m
- Packing unit = 48 m

### Applications

- Angled enclosures
- Tables
- Framework constructions
- Display windows, showcases
- As cross beam:  
Calculate dimension L of the intermediate support according to calculating formular

### Assembly

- MiniTec power-lock fastener
- Bolt connector