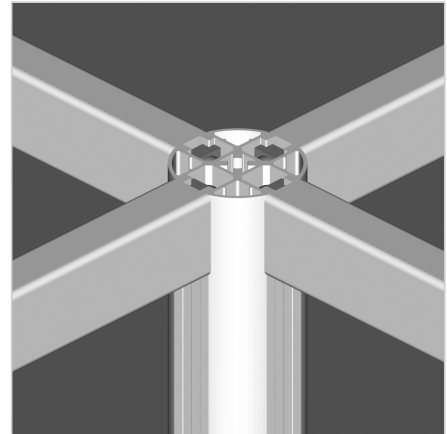
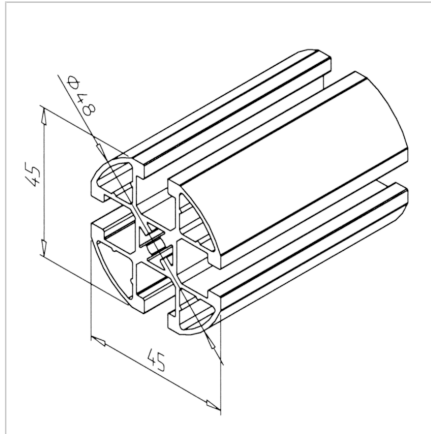


## PROFILE 45 R 4

Code: 201120/0

Alu profile 45 R4 for industrial use. Explore our aluminium profile system – strong, modular, and easy to assemble.

[Link to the product →](#)



### Technical data/items supplied

- Aluminium, extruded, anodized E6/EV1
- $I_x = 8.163 \text{ cm}^4$
- $I_y = 8.163 \text{ cm}^4$
- $w_x = 3.628 \text{ cm}^3$
- $w_y = 3.628 \text{ cm}^3$
- $IT = 16.200 \text{ cm}^4$
- Weight = 1.405 kg/m
- Bar length = 6 m
- Packing unit = 48 m

### Applications

- Weight-optimized constructions
- Handrail
- Connection of profiles 19
- Handles with different length for doors and drawers

### Assembly

- MiniTec power-lock fastener
- Screw connection
- Mounting angle 19 GD-Z, **part no.** [212078/0](#)