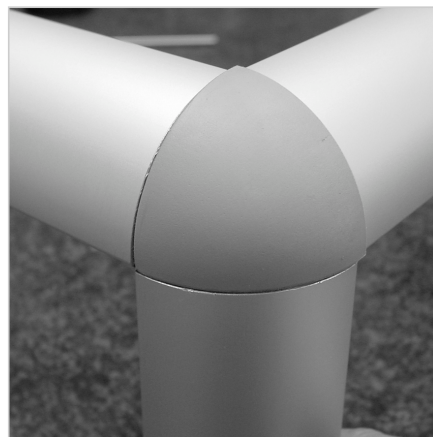
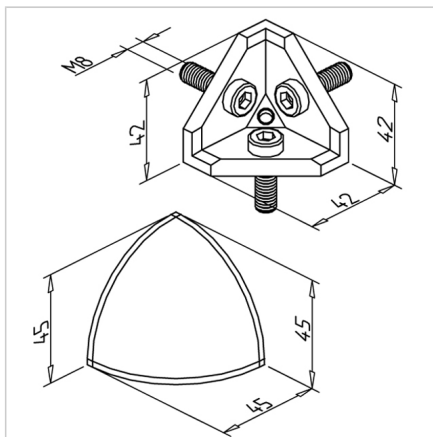
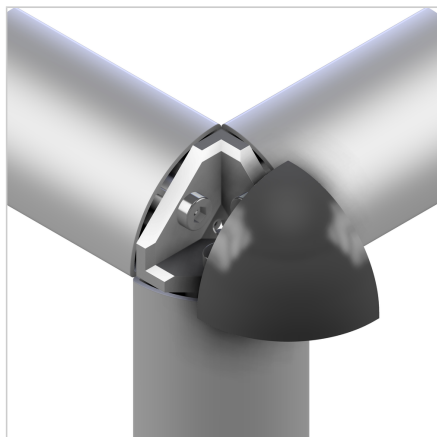


PROFILE 45 R 90°

Code: 201069/0

Alu profile 45 R 90° for industrial use. Explore our aluminium profile system – strong, modular, and easy to assemble.

[Link to the product →](#)



Technical data/items supplied

- Aluminium, extruded, anodized E6/EV1
- $I_x = 9.138 \text{ cm}^4$
- $I_y = 9.138 \text{ cm}^4$
- $w_x = 3.581 \text{ cm}^3$
- $w_y = 3.581 \text{ cm}^3$
- $IT = 14.456 \text{ cm}^4$
- Weight = 1.478 kg/m
- Bar length = 6 m
- Packing unit = 48 m

Applications

- Weight optimized constructions
- Tables
- Framework constructions
- Display windows, showcases

Assembly

- MiniTec power-lock fastener
- Angle 45 R 90°
- Bolt connector