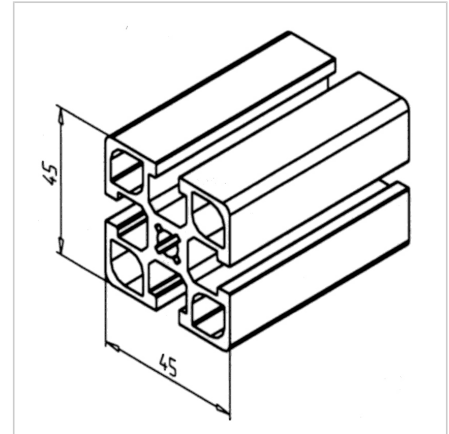


PROFILE 45X45 F

Code: 201033/0

Alu profile 45 x 45 F for industrial use. Explore our aluminium profile system – strong, modular, and easy to assemble.

[Link to the product →](#)



Technical data/items supplied

- Aluminium, extruded, anodized E6/EV1
- $I_x = 14.172 \text{ cm}^4$
- $I_y = 14.172 \text{ cm}^4$
- $w_x = 6.298 \text{ cm}^3$
- $w_y = 6.298 \text{ cm}^3$
- $IT = 13.376 \text{ cm}^4$
- Weight = 2.005 kg/m
- Bar length = 6 m
- Packing unit = 36 m

Applications

- All kinds of constructions

Assembly

- MiniTec power-lock fastener
- Angle 19 / 25 / 45 / 45 x 90 GD-Z
- Bolt connector
- Screw connection