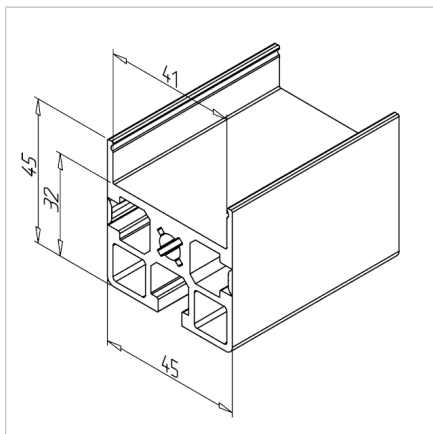
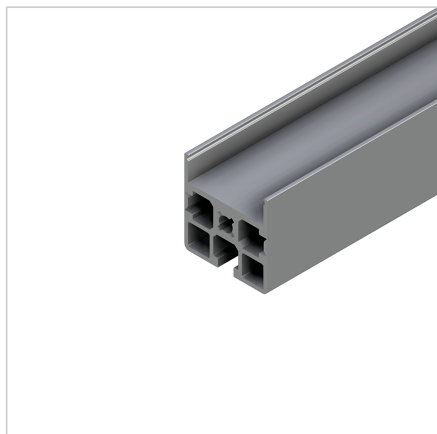


## PROFILE 45X45 R

Code: 201046/0

Alu profile 45 x 45 R for industrial use. Explore our aluminium profile system – strong, modular, and easy to assemble.

[Link to the product →](#)



### Technical data/items supplied

- Aluminium, extruded, anodized E6/EV1
- $I_x = 8.296 \text{ cm}^4$
- $I_y = 12.997 \text{ cm}^4$
- $w_x = 3.247 \text{ cm}^3$
- $w_y = 5.776 \text{ cm}^3$
- $IT = 17.332 \text{ cm}^4$
- Weight = 1.711 kg/m
- Bar length = 6 m
- Packing unit = 36 m

### Applications

- Combination of construction element and:
- Cable duct
- Guiding groove for belt conveyor
- Storage rail
- Guide for serpentine power chains
- For the manufacture of miniature roller tracks
- For use with the following roll carriers:
  - roll carrier 45 x 45R with cover **part no. 221151/0**
  - Roller carrier 45 x 45R with SF cover **part no. 221152/0**

### Assembly

- MiniTec power-lock fastener
- Closed grooves can be opened with the groove opener **part no. 260815/0** to the desired length