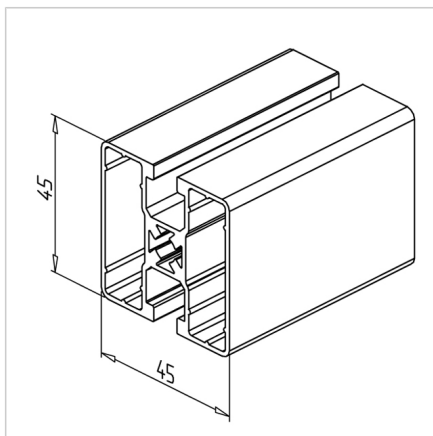
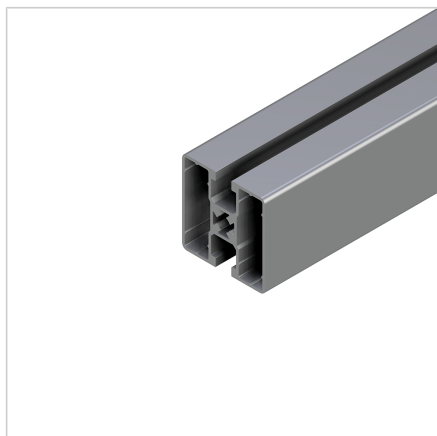


PROFILE 45X45 UL 2GG

Code: 201122/0

Alu profile 45 x 45 UL 2GG for industrial use. Explore our aluminium profile system - strong, modular, and easy to assemble.

[Link to the product →](#)



Technical data/items supplied

- Aluminium, extruded, anodized E6/EV1
- $I_x = 9.974 \text{ cm}^4$
- $I_y = 8.553 \text{ cm}^4$
- $w_x = 4.432 \text{ cm}^3$
- $w_y = 3.801 \text{ cm}^3$
- $IT = 18.527 \text{ cm}^4$
- Weight = 1.254 kg/m
- Bar length = 6 m
- Packing unit = 54 m

Applications

- Weight-optimized constructions
- All types of constructions, specifically for high hygiene requirements in the food industry, medical technology, bottling of beverages
- Silicon sealings for profile connections on request

Assembly

- MiniTec power-lock fastener
- Angle 19 / 25 / 45 / 45 x 90 GD-Z
- Bolt connector
- Screw connection