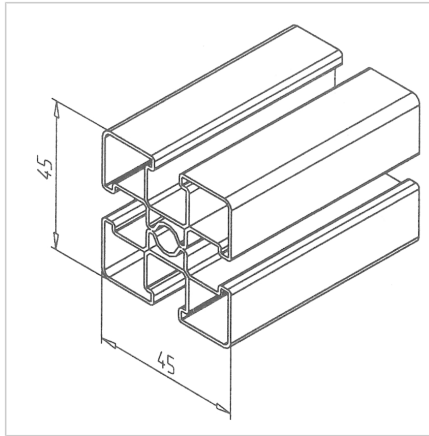


PROFILE 45 X 45 VA

Code: 202000/0

[Link to the product →](#)



Technical data/items supplied

- Stainless steel, rolled, bright
- $I_x = 6.47 \text{ cm}^4$
- $I_y = 6.47 \text{ cm}^4$
- $W_x = 2.88 \text{ cm}^3$
- $W_y = 2.88 \text{ cm}^3$
- $IT = 13.278 \text{ cm}^4$
- Material: WN DIN 1.4301 (X5 Cr Ni 18-10, SUS 304)
- Weight: 2.750 kg/m
- Bar length: 6 m
- Packing unit: 24 m

Applications

- Beverage and food industry
- Outdoor applications
- Chemical industry
- Pharmaceutical industry
- High temperatures

Assembly

- Profile connector H, Art. No. 21.1018/1
- Mounting angle VA, T-plate VA or angle plate VA
- Stainless steel screws M8