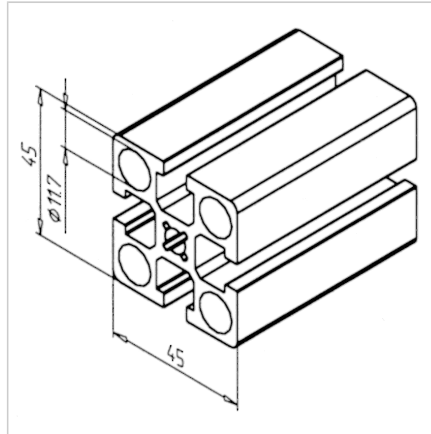


## PROFILE 45X45

Code: 201006/0

Alu profile 45 x 45 for industrial use. Explore our aluminium profile system - strong, modular, and easy to assemble.

[Link to the product →](#)



### Technical data/items supplied

- Aluminium, extruded, anodized E6/EV1
- $I_x = 15.934 \text{ cm}^4$
- $I_y = 15.934 \text{ cm}^4$
- $w_x = 7.081 \text{ cm}^3$
- $w_y = 7.081 \text{ cm}^3$
- $IT = 13.416 \text{ cm}^4$
- Weight = 2.205 kg/m
- Bar length = 6 m
- Packing unit = 36 m

### Applications

- All kinds of constructions
- Compressed air piping
- The  $\varnothing 11.7$  mm bores can be enlarged to G 1/4 to hold screw plugs or pneumatic connections

### Assembly

- MiniTec power-lock fastener
- Angle 25 / 45, bolt-fastener, screw connection
- Lateral connections G 1/8" direct into the profile