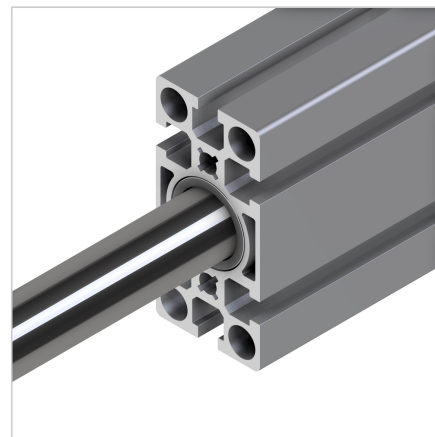
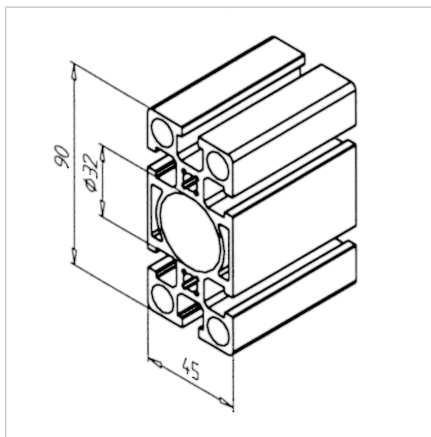
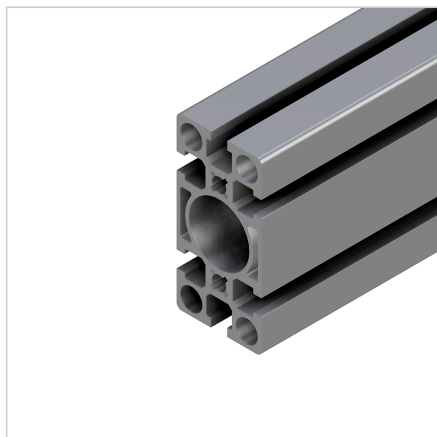


## PROFILE 45X90 S

Code: 201017/0

Alu profile 45 x 90 S for industrial use. Explore our aluminium profile system – strong, modular, and easy to assemble.

[Link to the product →](#)



### Technical data/items supplied

- Aluminium, extruded, anodized E6/EV1
- $I_x = 113.487 \text{ cm}^4$
- $I_y = 30.719 \text{ cm}^4$
- $w_x = 25.219 \text{ cm}^3$
- $w_y = 13.653 \text{ cm}^3$
- $IT = 70.893 \text{ cm}^4$
- Weight = 3.860 kg/m
- Bar length = 6 m
- Packing unit = 24 m

### Applications

- All kinds of constructions
- Linear guides LB as slide
- Column guides
- Implementation as compressed air line with base and transport plate and sealing set
- Central bore  $\varnothing 32 \text{ mm}$  for ball-bushings LME 20, for ball-bearings 6201 or 6002, for compressed air piping or guiding of hydraulic add-in cylinders

### Assembly

- MiniTec power-lock fastener
- Mounting bracket 45 or 90
- Screw connection