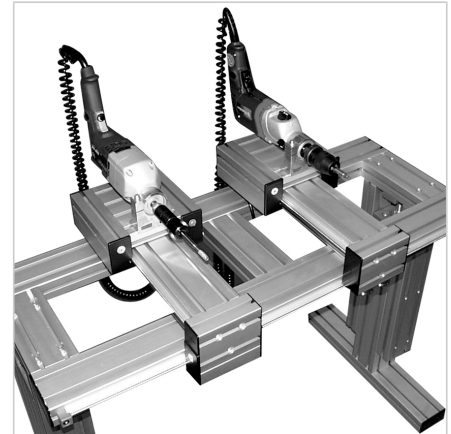
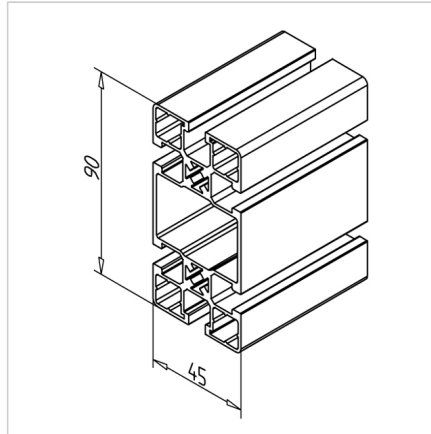


## PROFILE 45X90 UL

Code: 201067/0

Alu profile 45 x 90 UL for industrial use. Explore our aluminium profile system - strong, modular, and easy to assemble.

[Link to the product →](#)



### Technical data/items supplied

- Aluminium, extruded, anodized E6/EV1
- $I_x = 73.907 \text{ cm}^4$
- $I_y = 19.194 \text{ cm}^4$
- $w_x = 16.423 \text{ cm}^3$
- $w_y = 8.53 \text{ cm}^3$
- $IT = 57.770 \text{ cm}^4$
- Weight = 2.421 kg/m
- Bar length = 6 m
- Packing unit = 24 m

### Applications

- Universal mounting for all types of weight optimised constructions
- The hollow chamber is designed for receiving and guiding counterweights

### Assembly

- MiniTec power-lock fastener
- Angle 19 / 25 / 45 / 45 x 90 GD-Z
- Bolt connector
- Screw connection